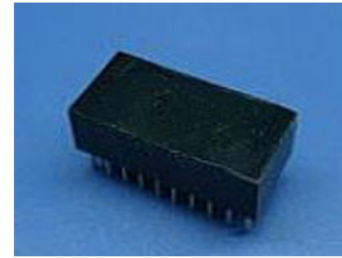


FEATURES

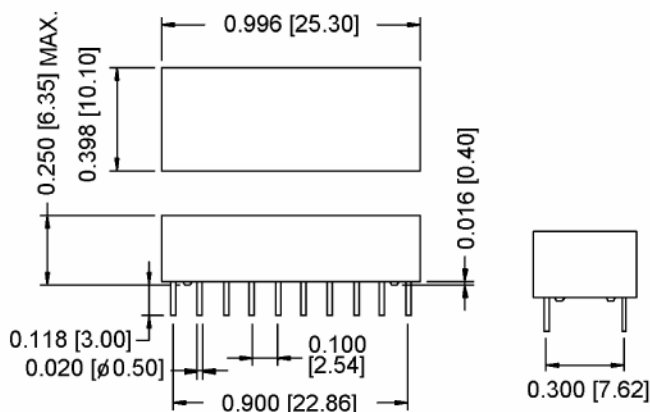
- Compliant with IEEE 802.3u and ANSI X3.263 standards including 350uH OCL with 8mA Bias.
- Operating temperature range: 0°C to +70°C
- Storage temperature range:-25°C to +105°C.
- Isolation voltage:1500Vrms.



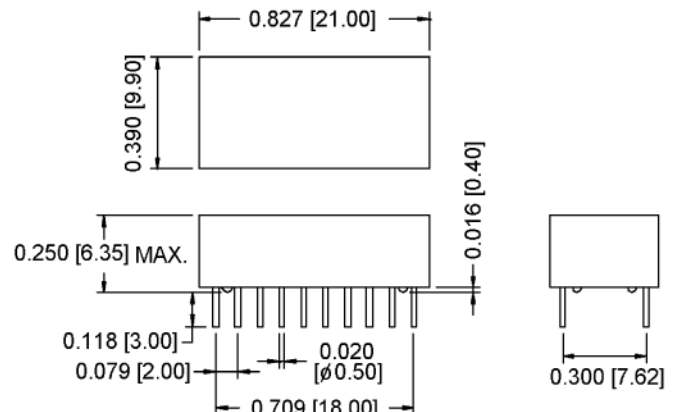
ELECTRICAL SPECIFICATIONS @25°C-Operating temperature 0°C TO 70°C									
Part Number	Turns Ratio(±5%)		Insertion Loss (dB MAX) 0.3-100 MHz	Return Loss (dB MIN @100Ω)			Crosstalk (dB TYP) 0.3-100 MHz	CMRR (dB MIN) 0.3-100 MHz	Mech.
	Transmit	Receive		.3-30 MHz	30-60 MHz	60-80 MHz			
TC- 13F2001	1CT:1CT	1CT:1CT	-1.15	-18	-14	-12	-38	-40	DP1
TC- 13F2002	1CT:1CT	1CT:1CT	-1.15	-18	-14	-12	-38	-40	DP1
TC- 13F2003	1CT:1CT	1CT:1CT	-1.15	-18	-14	-12	-38	-40	DP1
TC- 13F2004	1CT:1CT	1CT:1CT	-1.15	-18	-14	-12	-38	-40	DP1
TC- 13F2005	1CT:1CT	1CT:1CT	-1.15	-18	-14	-12	-38	-40	DP1
TC- 13F2006	1CT:1CT	1CT:1CT	-1.15	-18	-14	-12	-38	-40	DP2
TC- 13F2007	1CT:1CT	1CT:1CT	-1.15	-18	-14	-12	-38	-40	DP1
TC- 13F2008	1CT:1CT	1CT:1CT	-1.15	-18	-14	-12	-38	-40	DP1
TC- 13F2009	1CT:1CT	1CT:1CT	-1.1	-18	-14	-12	-35	-40	DP1
TC- 13F2010	1CT:1CT	1CT:1CT	-1.1	-18	-14	-12	-38	-40	DP1

Mechanicals

DP1



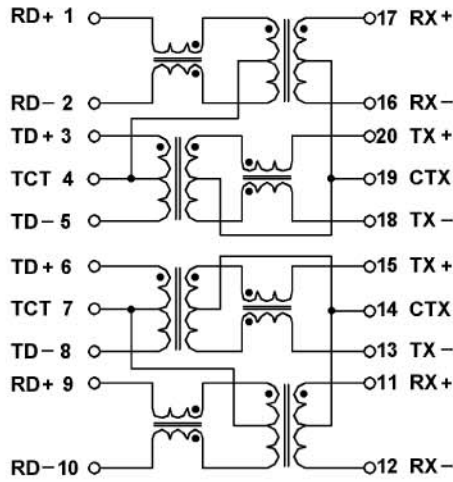
DP2



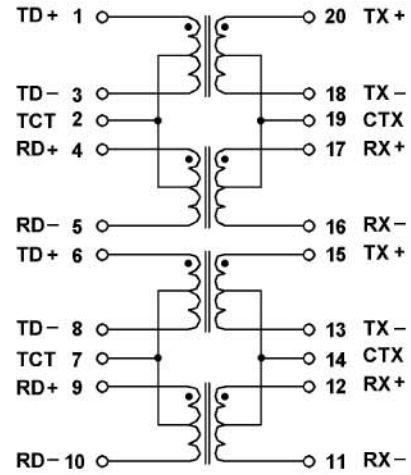
Unit: inch[mm] Tolerance: xx.x0±0.010[0.25] ; 0.xx±0.002[0.05]

Schematics

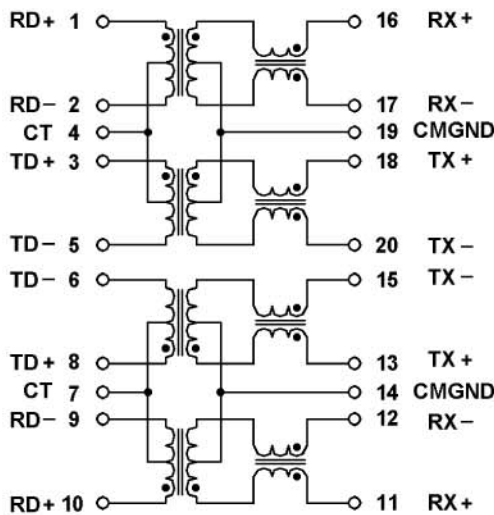
TC-13F2001



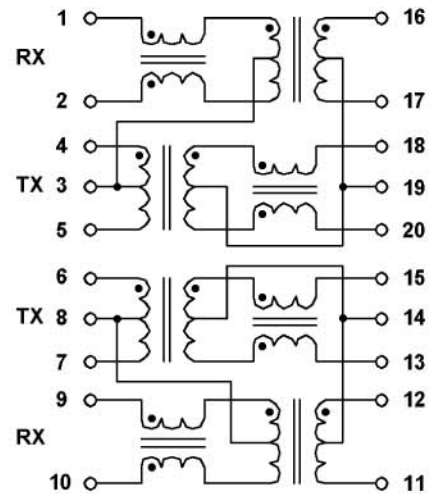
TC-13F2002



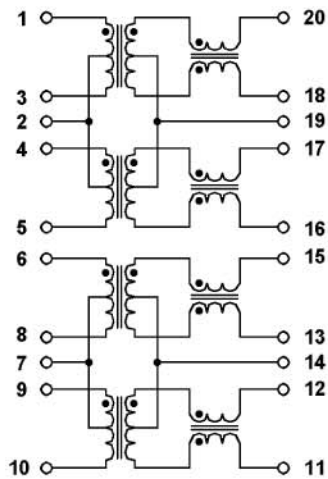
TC-13F2003



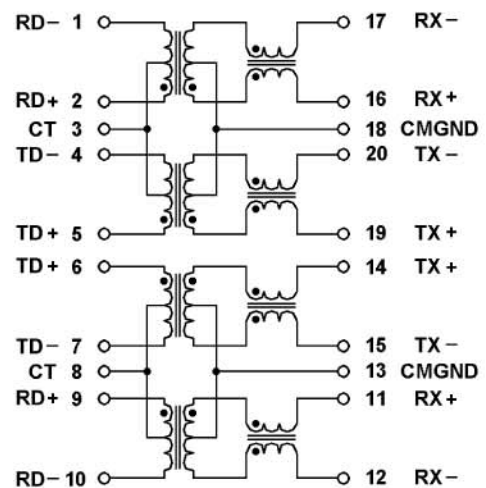
TC-13F2004



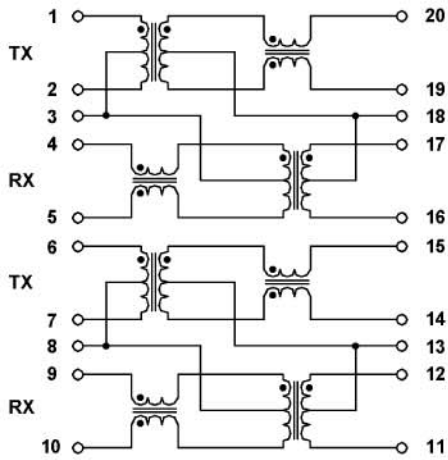
TC-13F2005



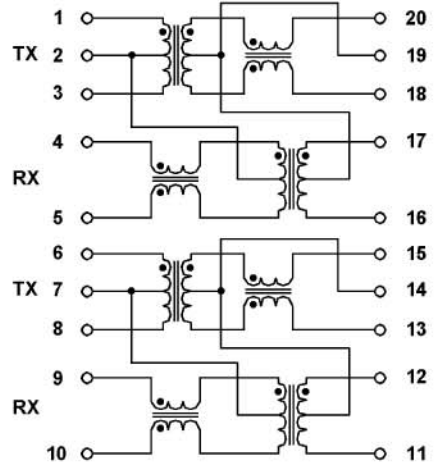
TC-13F2006



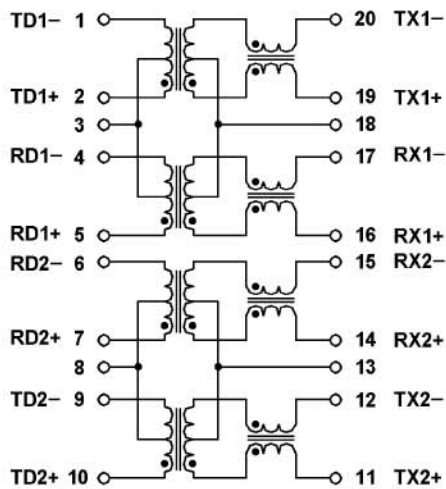
TC- 13F2007



TC- 13F2008



TC- 13F2009



TC- 13F2010

